

# Blackmagic MultiView 16



Monitor up to 16 SDI sources using an Ultra HD monitor or television so you get twice the resolution per view! Monitor from SD, HD or Ultra HD-SDI sources in any combination, in any order! Features full frame re-sync on each input.

£1,175

## Connections

### SDI Video Inputs

16 x 10-bit SD-SDI, HD-SDI and 6G-SDI.

### SDI Video Outputs

16 x 10-bit SD-SDI, HD-SDI and 6G-SDI.

### SDI Rates

270Mb, 1.5G, 3G, 6G.

### SDI Video Multi View Outputs

2 x 10-bit HD-SDI, 2 x 10 bit 6G-SDI.

### HDMI Video Multi View Outputs

1 x HDMI type A connector. Output supports EDID of the monitor.

### SDI Reclocking

On all SDI outputs, auto switching between standard definition, high definition or 6G-SDI video.

### Reference Input

Black Burst and Tri-Sync for SD, HD and 4K.

### Multi Rate Support

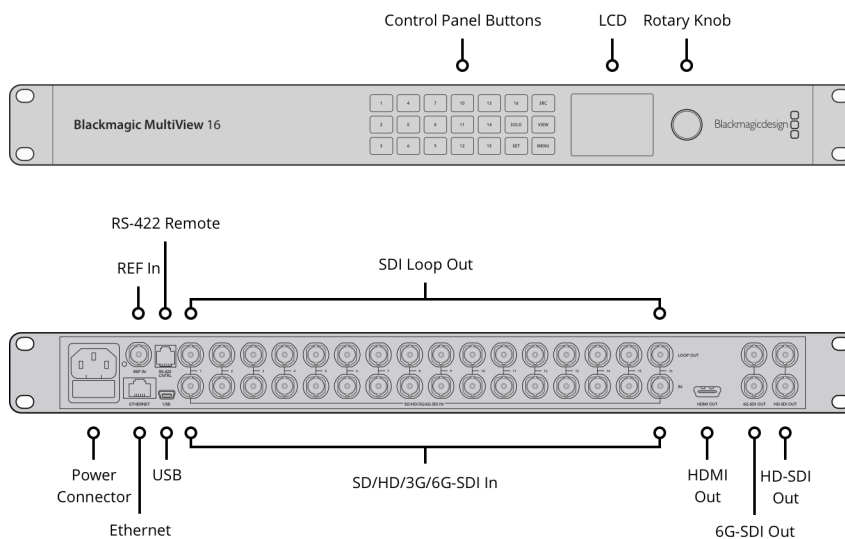
Auto detection of SD, HD or 6G-SDI. Simultaneous viewing of 4K, HD and SD video.

### Updates

USB 2.0 high speed (480Mb/s) interface or via Ethernet.

### Configuration

Via front panel LCD or use either RJ45 Ethernet or USB 2.0 for firmware updates and IP address setting.



---

## Standards

### SD Video Standards

525i59.94 NTSC, 625i50 PAL

### HD Video Standards

720p50, 720p59.94, 720p60,  
1080p23.98, 1080p24, 1080p25,  
1080p29.97, 1080p30, 1080p50,  
1080p59.94, 1080p60, 1080PsF23.98,  
1080PsF24, 1080PsF25,  
1080PsF29.97, 1080PsF30, 1080i50,  
1080i59.94, 1080i60

### 2K Video Standards

2K DCI 23.98p, 2K DCI 24p,  
2K DCI 25p, 2K DCI 23.98PsF,  
2K DCI 24PsF, 2K DCI 25PsF

### Ultra HD Video Standards

2160p23.98, 2160p24, 2160p25,  
2160p29.97, 2160p30

### 4K Video Standards

4K DCI 24p

### SDI Compliance

SMPTE 259M, SMPTE 292M,  
SMPTE 296M, SMPTE 425M-B, ITU-R  
BT.656 and ITU-R BT.601.

### Audio Meters

Each view, VU standard.

### Source Routing

Yes

### SDI Video Sampling

4:2:2 and 4:4:4.

### SDI Audio Sampling

Television standard sample rate of  
48kHz and 24-bit.

### SDI Color Precision

10-bit 4:2:2 and 4:4:4.

### SDI Color Space

YUV or RGB for inputs, YUV  
for outputs.

### SDI Auto Switching

Automatically selects between SD-  
SDI, HD-SDI, and 6G-SDI on each  
input so that each input can be  
running a different television  
standard.

### SDI Metadata Support

Video payload identification ancillary  
data as per SMPTE 352M.

---

## Control

### Built in Control Panel

16 buttons for local control of source  
routing with 5 buttons and scroll  
wheel for menu control. 2.2 inch  
color display.

### External Control Panel

Includes Blackmagic Videohub  
software control panel for Mac OS  
and Windows for routing sources to  
views. Supports Blackmagic Smart  
Control and Blackmagic Master  
Control hardware panels. Includes  
Blackmagic Videohub SDK and  
Ethernet Videohub Control Protocol.

### RS-422 Control

RJ9 for external control.

---

## Display

Built in 1.5 inch LCD for menu settings.

---

## Software

### Software Control

MultiView software included free for  
Windows™ and Mac™

### Internal Software Upgrade

Via included updater application.

---

## Operating Systems



Mac 10.11 El Capitan,  
Mac 10.12 Sierra or later.



Windows 8.1 or Windows 10.

---

## Physical Installation

1 rack unit size. Less than 6 inch deep.

---

## Power Requirements

### Power Supply

IEC power cable required.,90 - 240V  
AC input.

### Power Fail Protection

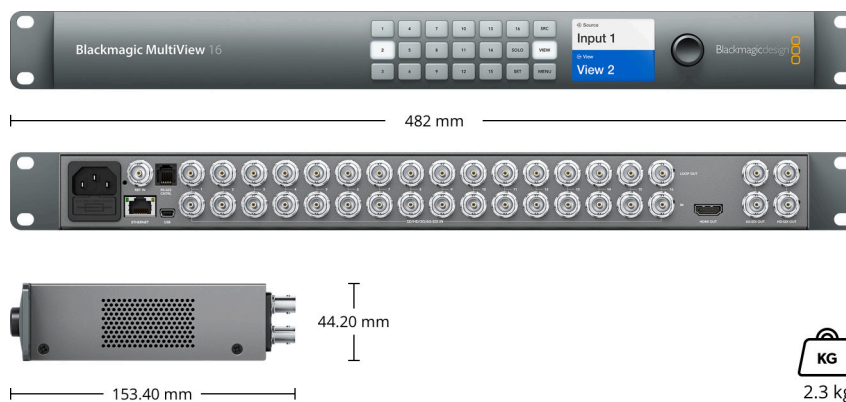
MultiView 16 settings preserved and  
restored instantly at power on.

### Power Consumption

45 Watts

---

## Physical Specifications



## Environmental Specifications

### Operating temperature

0° to 40° C (32° to 104° F)

### Storage temperature

-20° to 45° C (-4° to 113° F)

### Relative Humidity

0% to 90% non-condensing

---

## What's Included

Blackmagic MultiView 16  
SD card with software and manual

---

---

## Warranty

12 month Limited Manufacturer's Warranty.

All items on this website are copyright Blackmagic Design Pty. Ltd. 2019, all rights reserved.

All trademarks are property of their respective owners. MSRP excludes VAT/duties and shipping costs.

This website uses remarketing services to advertise on third party websites to previous visitors to our site.

You can opt out at any time by changing cookie settings. [Privacy Policy](#)

Blackmagic Design Authorized Reseller