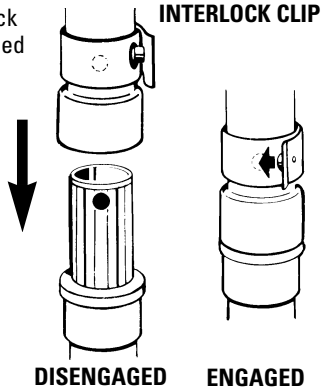


# BOSS™

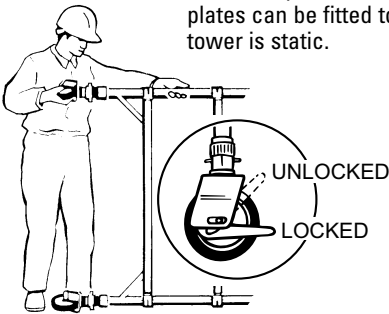
## 1450/850 LADDERSPAN ALLOY ACCESS SYSTEM

### ASSEMBLY GUIDE

- 1** Check that interlock clips are disengaged on all frames.

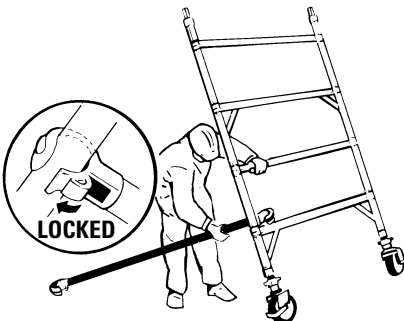


- 2** Insert two adjustable leg/castor assemblies into span frame. Lock castors. Repeat with ladder frame. Base plates can be fitted to adjustable leg if tower is static.



We recommend that two persons are required, to ease the erection process. Push castor onto adjustable leg to secure.

- 3** Clip horizontal brace (Red) onto side of span frame. Frame will now be self supporting.

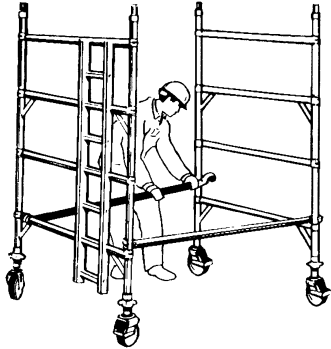


**Note:** All locking claws should be primed before use by pulling back trigger. After dismantling – ensure locking mechanism is released.

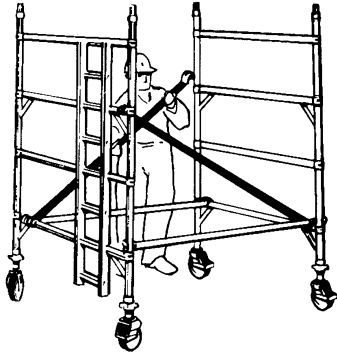
# BOSS™

## 1450/850 LADDERSPAN ALLOY ACCESS SYSTEM

- 4** Clip other end of horizontal brace onto ladder frame ensuring ladder is on your right (from outside of frame – see sketch). Clip second horizontal brace onto other side of span & ladder base frames. Ensure claws are locked outwards **never** inwards. Lock castors.

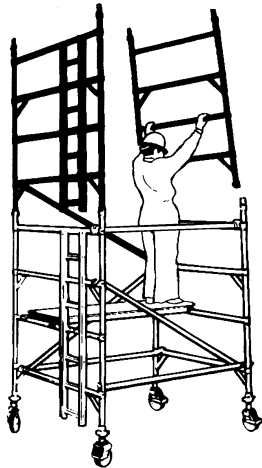


- 5** Clip diagonal braces (blue) in opposite directions as shown. Adjust legs to ensure tower is vertical and square and that horizontal braces are level, using a spirit level.



- 6** Position fixed deck on second rung of frames as shown. Position second lift of frames ensuring that the ladder in the frame is directly above the one below it. Engage interlock clips. Add temporary horizontal handrails.

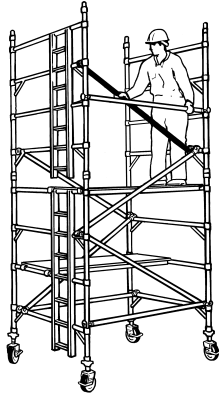
**Note:** If erecting more than one lift, fit appropriate stabilisers or outriggers **now**. (See special note on stabilisers & outriggers).



# BOSS™

## 1450/850 LADDERSPAN ALLOY ACCESS SYSTEM

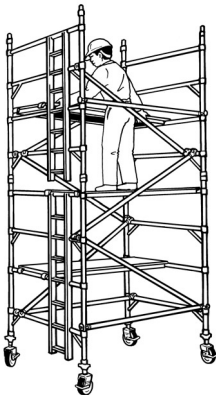
- 7** Clip on diagonal braces (blue) as shown. Ensure that separate frames are always braced together. Locate Trapdoor Deck on top of lower frame (4th rung) ensuring trap is positioned over ladder and opens to outside of tower.



- 8** Locate further Trapdoor Deck on 2nd Rung of upper Frame, (opposite side to ladder) and engage windlocks. Add temporary horizontal handrails.

**Note:** Add Trapdoor Deck rest platform every 4m, with horizontal braces at 0.5m and 1.0m rung levels on the outside face. If it is a working level, add toeboards. For fully decked areas, add 2 horizontal braces to the other face.

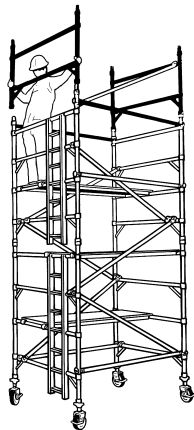
**Note:** always climb inside the tower.



- 9** Move temporary horizontal handrails to either side of Frame. Position 2 Rung Guardrail Frames. Engage interlock clips. Clip two horizontal braces (red) to each side of the Guardrail Frame.

Return to platform on 4th Rung (see **8**) and move uppermost Trapdoor Deck to 8th rung (top of upper Frame). Ensure trap is positioned over ladder as before, and opens to outside of tower.

Clip diagonal braces (blue) to lock Guardrail Frames to Frame below.



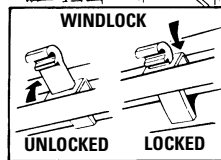
# BOSS™

## 1450/850 LADDERSPAN ALLOY ACCESS SYSTEM

**10** Move temporary horizontal handrail braces once Guardrail Frame horizontal braces are in place, to lower platform. Move Fixed Deck from 2nd Rung and re-locate on top working platform alongside Trapdoor Deck. Engage windlocks. Fit toeboards now, (see instructions on reverse).

Ensure 4th rung is Guardrailed.

To dismantle the structure, reverse steps ⑩ – ②.

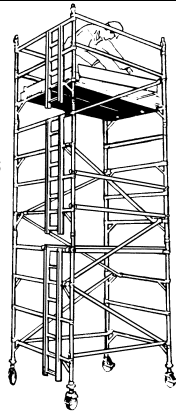


### **11** Tower finishing with 3 rung frames

Position 3 rung frames. Engage interlock clips. Clip 2 horizontal handrail braces (red) to each side of tower. (See note ⑩). Clip on diagonal braces (blue) as shown. Place fixed and trapdoor decks on bottom rungs of 3 rung span frame and ladder frame, ensuring that the trapdoor is positioned over ladder and opens to outside of tower.

*Fit toeboards now (see instructions).*

Rest Platform (every 4m), omitted for clarity.



### **12** Tower finishing with 4 rung frames

Position 4 rung frames. Engage interlock clips. Clip 2 horizontal handrail braces (red) to each side of tower. (See note ⑩). Clip on diagonal braces (blue) as shown. Place fixed and trapdoor decks on second rung of 4 rung span frame and ladder frame, ensuring that the trapdoor is positioned over ladder and opens to the outside of tower.

*Fit toeboards now (see instructions).*

