

**Kramer Electronics, Ltd.**



# **USER MANUAL**

**VM-10HD**

*1:10 HD/SD – SDI Distribution Amplifier*

## Contents

<b>1</b>	<b>Introduction</b>	<b>1</b>
<b>2</b>	<b>Getting Started</b>	<b>1</b>
2.1	Quick Start	1
<b>3</b>	<b>Overview</b>	<b>3</b>
<b>4</b>	<b>Your VM-10HD 1:10 HD/SD - SDI Distribution Amplifier</b>	<b>3</b>
<b>5</b>	<b>Installing the VM-10HD on a Rack</b>	<b>6</b>
<b>6</b>	<b>Connecting the VM-10HD 1:10 HD/SD - SDI Distribution Amplifier</b>	<b>7</b>
<b>7</b>	<b>Technical Specifications</b>	<b>8</b>

## Figures

Figure 1: VM-10HD HD/SD - SDI Distribution Amplifier	4
Figure 2: Connecting the VM-10HD 1:10 HD/SD - SDI Distribution Amplifier	7

## Tables

Table 1: VM-10HD 1:10 HD/SD - SDI Distribution Amplifier Features	5
Table 2: Technical Specifications of the VM-10HD	8

## 1 Introduction

Welcome to Kramer Electronics (since 1981): a world of unique, creative and affordable solutions to the infinite range of problems that confront the video, audio and presentation professional on a daily basis. In recent years, we have redesigned and upgraded most of our line, making the best even better! Our 500-plus different models now appear in 8 Groups<sup>1</sup>, which are clearly defined by function.

Congratulations on purchasing your Kramer **VM-10HD 1:10 HD<sup>2</sup>/SD<sup>3</sup> - SDI Distribution Amplifier**, which is ideal for:

- SDI production studios for signal distribution and equalizations
- Broadcast studios for on-air operation
- SDI field production
- Using with SDI video sources such a professional digital camera

The package includes the following items:

- **VM-10HD 1:10 HD/SD - SDI Distribution Amplifier**
- Power cord
- This user manual<sup>4</sup>

## 2 Getting Started

We recommend that you:

- Unpack the equipment carefully and save the original box and packaging materials for possible future shipment
- Review the contents of this user manual
- Use Kramer high performance high resolution cables<sup>5</sup>

### 2.1 Quick Start

This quick start chart summarizes the basic setup and operation steps.

---

1 GROUP 1: Distribution Amplifiers; GROUP 2: Video and Audio Switchers, Matrix Switchers and Controllers; GROUP 3: Video, Audio, VGA/XGA Processors; GROUP 4: Interfaces and Sync Processors; GROUP 5: Twisted Pair Interfaces; GROUP 6: Accessories and Rack Adapters; GROUP 7: Scan Converters and Scalers; and GROUP 8: Cables and Connectors

2 High Definition (HD) means a video format, consisting of either 720 active lines of progressive video or 1080 lines of either progressive or interlaced video

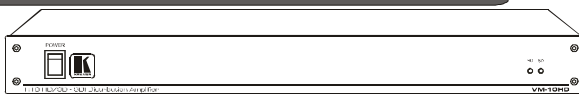
3 Standard Definition (SD) means an NTSC or PAL compatible video format, consisting of 480 (for NTSC) or 576 (for PAL) lines of interlaced video

4 Download up-to-date Kramer user manuals from the Internet at this URL: <http://www.kramerelectronics.com>

5 The complete list of Kramer cables is on our Web site at <http://www.kramerelectronics.com>

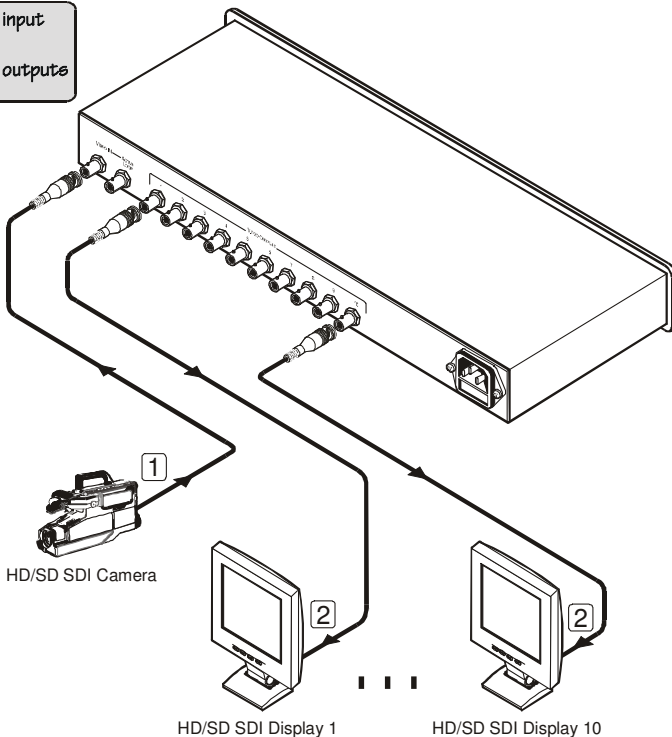
**Step 1: Mount the machine - see section 5**

Mount the machine in a rack or stick the 4 rubber feet to the underside



**Step 2: Connect the input and the outputs - see section 6**

- 1 Connect the input
- 2 Connect the outputs



**Step 3: Turn the power ON**

### 3 Overview

The **VM-10HD 1:10 HD/SD - SDI Distribution Amplifier** is a high performance 1:10 distributor for all SDI video signals.

In particular, the **VM-10HD**:

- Accepts one input and distributes the signal to 10 identical outputs using BNC connectors
- Has a video bandwidth of 1.485GHz that allows it to be used for standard definition and high definition serial digital video signals (SD/HD-SDI)
- Is SMPTE 292M, 259M and 344M compliant and supports data rates of 143, 177, 270, 360, 540, 1483.5, and 1485Mb/sec
- Provides automatic, multi-rate, equalization and reclocking for losses typical with long runs of 75 $\Omega$  co-axial cable
- Has HD and SD output indication LEDs
- Has an active loop BNC connector for cascading additional units

To achieve the best performance:

- Connect only good quality connection cables, thus avoiding interference, deterioration in signal quality due to poor matching, and elevated noise-levels (often associated with low quality cables)
- Avoid interference from neighboring electrical appliances and position your Kramer **VM-10HD** away from moisture, excessive sunlight and dust

### 4 Your VM-10HD 1:10 HD/SD - SDI Distribution Amplifier

Figure 1 and Table 1 define the **VM-10HD 1:10 HD/SD - SDI Distribution Amplifier**:

Your VM-10HD 1:10 HD/SD - SDI Distribution Amplifier

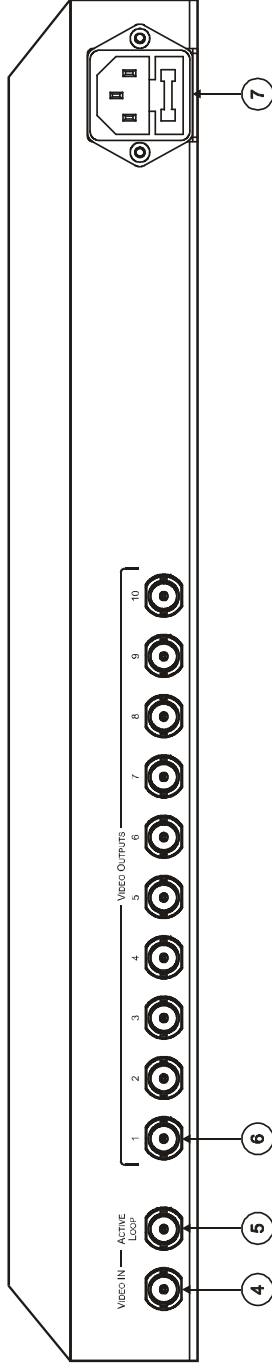
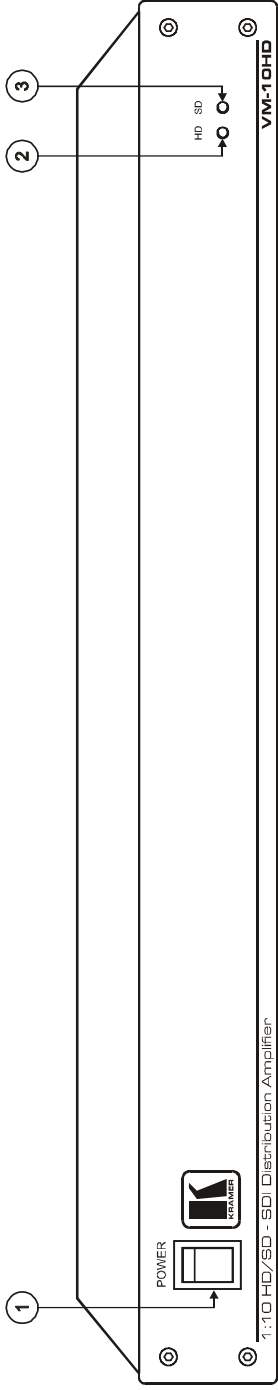


Figure 1: VM-10HD HD/SD - SDI Distribution Amplifier

Table 1: VM-10HD 1:10 HD/SD - SDI Distribution Amplifier Features

#	Feature		Function
1	POWER Switch		Illuminated switch for turning the unit ON or OFF
2	SDI	HD <sup>1</sup> LED	Blue LED illuminates when the SDI signal is HD
3		SD <sup>2</sup> LED	Green LED illuminates when the SDI signal is SD
4	VIDEO IN BNC connector		Connects to the SDI source
5	ACTIVE LOOP BNC connector		Connects to an additional unit
6	VIDEO OUTPUTS BNC connectors		Connects to the SDI acceptors (from 1 to 10)
7	Power Connector with Fuse		AC connector enabling power supply to the unit

---

1 High Definition (HD) means a video format, consisting of either 720 active lines of progressive video or 1080 lines of either progressive or interlaced video

2 Standard Definition (SD) means an NTSC or PAL compatible video format, consisting of 480 (for NTSC) or 576 (for PAL) lines of interlaced video

## 5 Installing the VM-10HD on a Rack

This section describes what to do before installing on a rack and how to rack mount.

### Before Installing on a Rack

Before installing on a rack, be sure that the environment is within the recommended range:	
Operating temperature range	+5 to +45 Deg. Centigrade
Operating humidity range	5 to 65% RHL, non-condensing
Storage temperature range	-20 to +70 Deg. Centigrade
Storage humidity range	5 to 95% RHL, non-condensing



### CAUTION!!

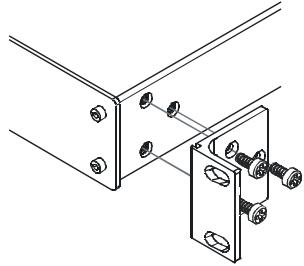
When installing on a 19" rack, avoid hazards by taking care that:

- 1 It is located within the recommended environmental conditions, as the operating ambient temperature of a closed or multi unit rack assembly may exceed the room ambient temperature.
- 2 Once rack mounted, enough air will still flow around the machine.
- 3 The machine is placed straight in the correct horizontal position.
- 4 You do not overload the circuit(s). When connecting the machine to the supply circuit, overloading the circuits might have a detrimental effect on overcurrent protection and supply wiring. Refer to the appropriate nameplate ratings for information. For example, for fuse replacement, see the value printed on the product label.
- 5 The machine is earthed (grounded) in a reliable way and is connected only to an electricity socket with grounding. Pay particular attention to supply connections other than direct connections to the branch circuit (for example, the use of power strips), and that you use only the power cord that is supplied with the machine.

### How to Rack Mount

To rack-mount a machine:

- 1 Attach both ear brackets to the machine. To do so, remove the screws from each side of the machine (3 on each side), and replace those screws through the ear brackets.



- 2 Place the ears of the machine against the rack rails, and insert the proper screws (not provided) through each of the four holes in the rack ears.

Note that:

- In some models, the front panel may feature built-in rack ears
- Detachable rack ears can be removed for desktop use
- Always mount the machine in the rack before you attach any cables or connect the machine to the power
- If you are using a Kramer rack adapter kit (for a machine that is not 19"), see the Rack Adapters user manual for installation instructions (you can download it at: <http://www.kramerelectronics.com>)



## 6 Connecting the VM-10HD 1:10 HD/SD - SDI Distribution Amplifier

To connect the **VM-10HD**, as the example in Figure 2 illustrates, do the following:

1. Connect an HD-SDI/SD-SDI video source (for example, an SDI camera) to the VIDEO IN BNC connector.
2. Connect up to<sup>1</sup> 10 VIDEO OUTPUT BNC connectors to the appropriate HD-SDI/SD-SDI video acceptors (for example, displays).
3. Connect the power cord.

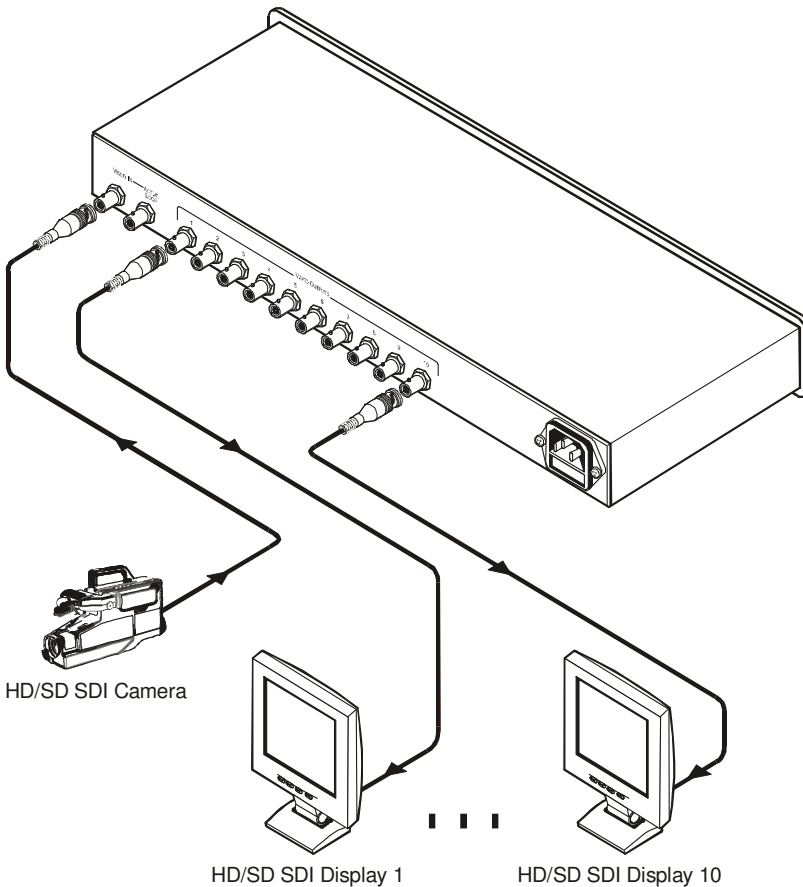


Figure 2: Connecting the VM-10HD 1:10 HD/SD - SDI Distribution Amplifier

<sup>1</sup> You do not have to connect all the outputs, connect only those that are required and leave the other output(s) unconnected

## 7 Technical Specifications

Table 2 includes the technical specifications:

*Table 2: Technical Specifications<sup>1</sup> of the VM-10HD*

INPUTS:	1 SMPTE-259M, 292M, 344M serial video, 75 ohms on a BNC connector
OUTPUTS:	11 equalized and reclocked SMPTE-259M, 292M, 344M outputs, 75 ohms on BNC connectors
MAX. OUTPUT LEVEL:	800mVpp /75 ohms
BAUD RATE:	1.485Gbps
COUPLING:	AC
POWER SOURCE:	100–240VAC; 50/60Hz, 5VA
DIMENSIONS:	19-inch (W), 7-inch (D), 1U (H)
WEIGHT:	1.5kg. (3.3lbs.) approx.
ACCESSORIES:	Power cord

---

<sup>1</sup> Specifications are subject to change without notice

---

## LIMITED WARRANTY

Kramer Electronics (hereafter *Kramer*) warrants this product free from defects in material and workmanship under the following terms.

### HOW LONG IS THE WARRANTY

Labor and parts are warranted for seven years from the date of the first customer purchase.

### WHO IS PROTECTED?

Only the first purchase customer may enforce this warranty.

### WHAT IS COVERED AND WHAT IS NOT COVERED

Except as below, this warranty covers all defects in material or workmanship in this product. The following are not covered by the warranty:

1. Any product which is not distributed by Kramer, or which is not purchased from an authorized Kramer dealer. If you are uncertain as to whether a dealer is authorized, please contact Kramer at one of the agents listed in the Web site [www.kramerelectronics.com](http://www.kramerelectronics.com).
2. Any product, on which the serial number has been defaced, modified or removed.
3. Damage, deterioration or malfunction resulting from:
  - i) Accident, misuse, abuse, neglect, fire, water, lightning or other acts of nature
  - ii) Product modification, or failure to follow instructions supplied with the product
  - iii) Repair or attempted repair by anyone not authorized by Kramer
  - iv) Any shipment of the product (claims must be presented to the carrier)
  - v) Removal or installation of the product
  - vi) Any other cause, which does not relate to a product defect
  - vii) Cartons, equipment enclosures, cables or accessories used in conjunction with the product

### WHAT WE WILL PAY FOR AND WHAT WE WILL NOT PAY FOR

We will pay labor and material expenses for covered items. We will not pay for the following:

1. Removal or installations charges.
2. Costs of initial technical adjustments (set-up), including adjustment of user controls or programming. These costs are the responsibility of the Kramer dealer from whom the product was purchased.
3. Shipping charges.

### HOW YOU CAN GET WARRANTY SERVICE

1. To obtain service on you product, you must take or ship it prepaid to any authorized Kramer service center.
2. Whenever warranty service is required, the original dated invoice (or a copy) must be presented as proof of warranty coverage, and should be included in any shipment of the product. Please also include in any mailing a contact name, company, address, and a description of the problem(s).
3. For the name of the nearest Kramer authorized service center, consult your authorized dealer.

### LIMITATION OF IMPLIED WARRANTIES

All implied warranties, including warranties of merchantability and fitness for a particular purpose, are limited in duration to the length of this warranty.

### EXCLUSION OF DAMAGES

The liability of Kramer for any effective products is limited to the repair or replacement of the product at our option. Kramer shall not be liable for:

1. Damage to other property caused by defects in this product, damages based upon inconvenience, loss of use of the product, loss of time, commercial loss; or:
2. Any other damages, whether incidental, consequential or otherwise. Some countries may not allow limitations on how long an implied warranty lasts and/or do not allow the exclusion or limitation of incidental or consequential damages, so the above limitations and exclusions may not apply to you.

This warranty gives you specific legal rights, and you may also have other rights, which vary from place to place.

**NOTE:** All products returned to Kramer for service must have prior approval. This may be obtained from your dealer. This equipment has been tested to determine compliance with the requirements of:

- EN-50081: "Electromagnetic compatibility (EMC);  
generic emission standard.  
Part 1: Residential, commercial and light industry"
- EN-50082: "Electromagnetic compatibility (EMC) generic immunity standard.  
Part 1: Residential, commercial and light industry environment".
- CFR-47: FCC Rules and Regulations:  
Part 15: "Radio frequency devices  
Subpart B – Unintentional radiators"

### CAUTION!

- ☒ Servicing the machines can only be done by an authorized Kramer technician. Any user who makes changes or modifications to the unit without the expressed approval of the manufacturer will void user authority to operate the equipment.
- ☒ Use the supplied DC power supply to feed power to the machine.
- ☒ Please use recommended interconnection cables to connect the machine to other components.





---

**For the latest information on our products and a list of Kramer distributors, visit our Web site: [www.kramerelectronics.com](http://www.kramerelectronics.com), where updates to this user manual may be found. We welcome your questions, comments and feedback.**



**Caution**

**Safety Warning:**

Disconnect the unit from the power supply before opening/servicing.



---

**Kramer Electronics, Ltd.**

Web site: [www.kramerelectronics.com](http://www.kramerelectronics.com)

E-mail: [info@kramerelectronics.com](mailto:info@kramerelectronics.com)

P/N: 2900-000233 REV 1